



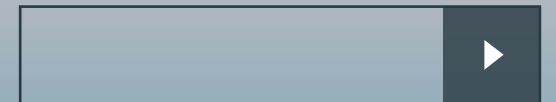
PRODUCT INTRODUCTION

AD2710/2720 Disposable Vape

OVERVIEW

FEATURE

ADVANTAGE



Specifications

Product Size
42.6*50.6*13 mm

Oil Hole
2*1.8 mm

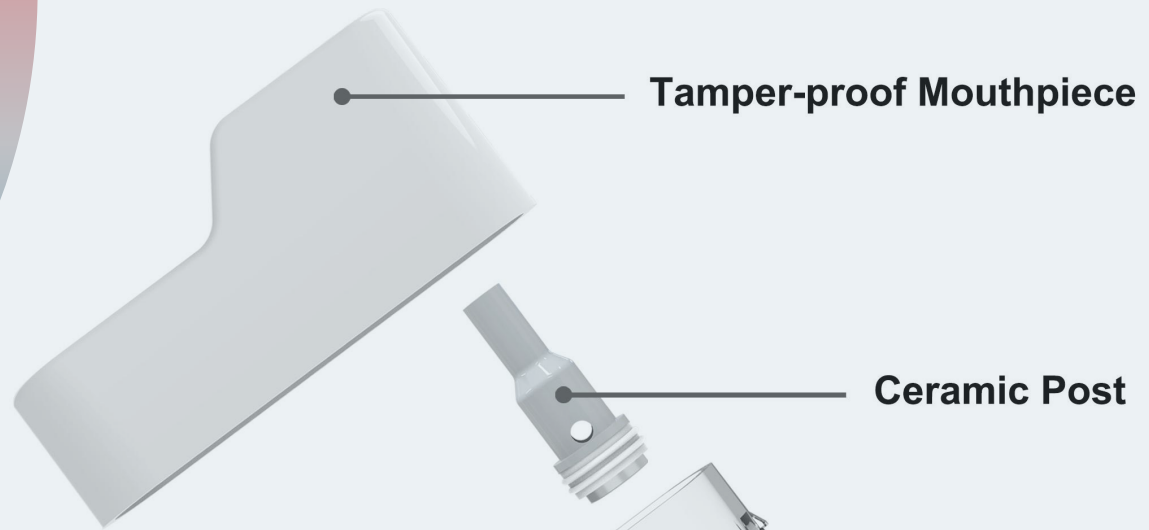
Heating Element
Ceramic center post and ceramic coil

Resistance
1.4Ω

Battery Capacity
280 mAh

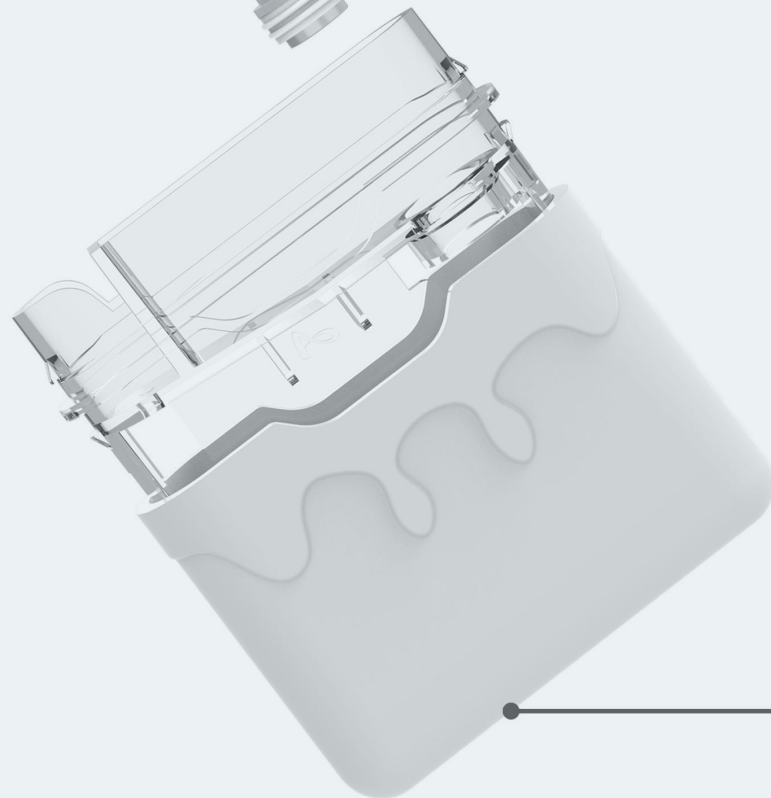
Tank Capacity
1ml/2ml



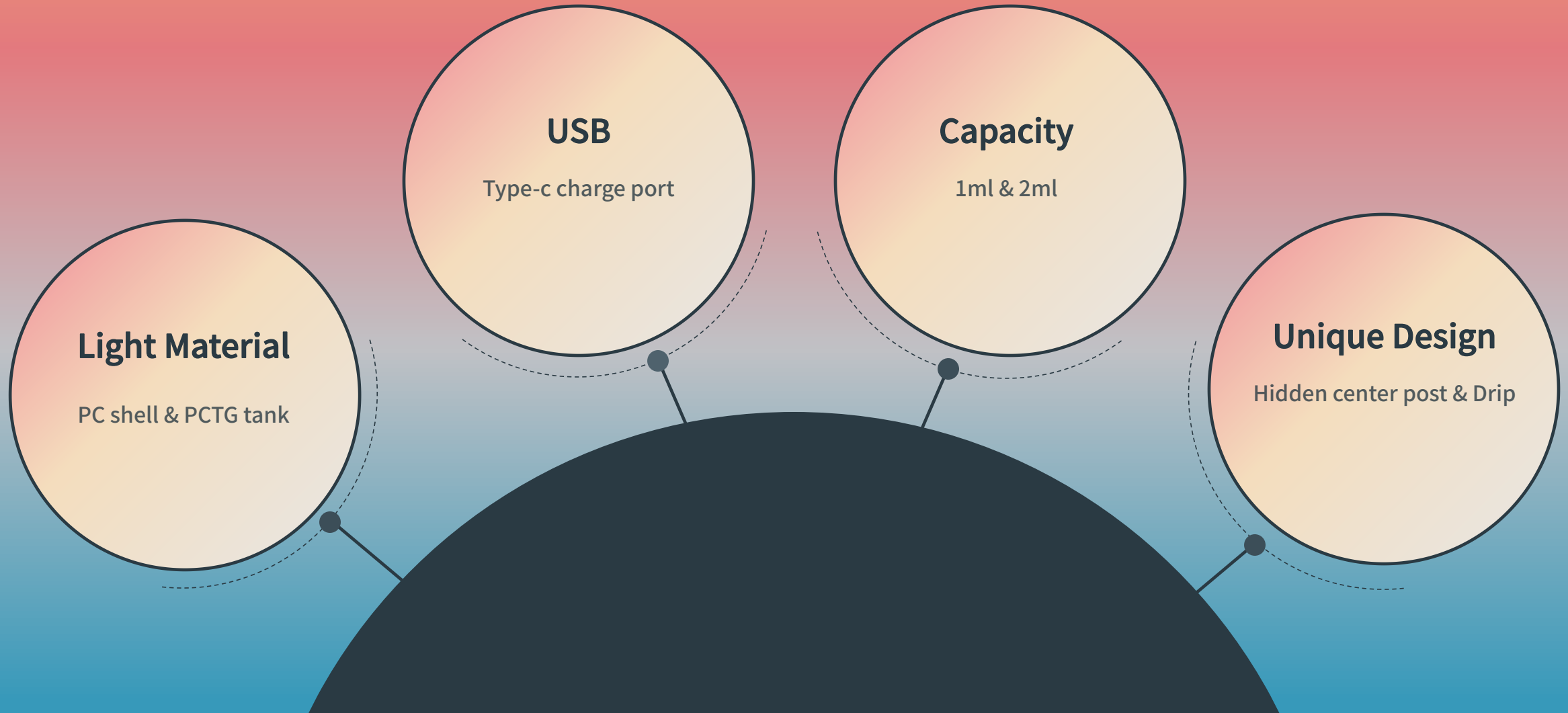


Tamper-proof Mouthpiece

Ceramic Post



USB-C Charge port



1. Drip Design



2. Ceramic Structure



3. Anti-clogging

